

1.1.6 Actuator Accessories

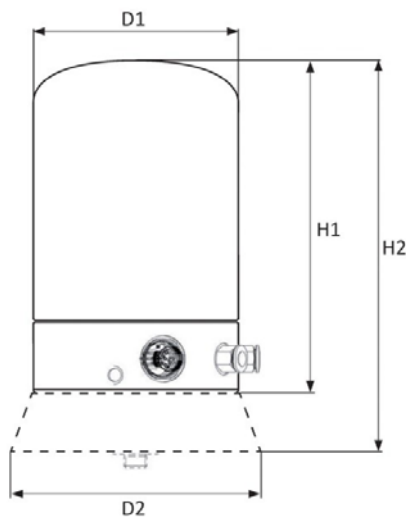
Handbetätigung ergonomisch, 90° rastend (Standard) [667]	2
Handbetätigung mit Edelstahlkugel, 90° rastend (Heavy duty) [667].....	2
Handbetätigung stufenlos [668].....	3
Handbetätigung Scherengriff, 90° rastend [669]	3
Handbetätigung ergonomisch, 90° rastend mit Endlagenschalter [670].....	4
Mechanischer Endlagenschalter [690]	4
Handbetätigung für Sensoren, horizontal [671]	5
Handbetätigung für Sensoren, vertikal [671].....	5
Pneumatischer Drehantrieb NC/NO (LF/FL) [678]	6
Pneumatischer Drehantrieb NST (LL) [677].....	7
Haltekonsole für die Befestigung von Nocado-Drehantrieben an Nocado-Scheibenventilen [681]	7
Halteblech für Sensoren [683A]	8
Schaltfahne zur Aktivierung von induktiven Endlagensensoren [684]	8
Stellungsanzeige für Antrieb	9
Haltekonsole für Doppelsensor	9
Doppelsensor induktiv für Nocado-Doppelkonsole mit Stecker M12.....	10
Schaltnocke für Doppelsensor.....	10
Näherungssensor induktiv für Nocado Handbetätigung, D=12mm mit Kabel [686]	11
Näherungssensor induktiv für Nocado Handbetätigung, D=12mm mit Stecker M12 [686]	11
Näherungssensor induktiv für pneumatische Nocado-Antriebe, D=12mm mit Kabel [686]	12
Näherungssensor induktiv für pneumatische Nocado-Drehantriebe, D=12mm mit Stecker M12 [686]	12
NocaTop feedback head for pneumatic Nocado multi-turn actuators [675]	13
NocaTop Control Head NC / NO [675S]	14
NocaTop Control Head NC / NO with AS-Interface ("ASI Bus") [675A]	15
NocaTop steering head NST [675S]	16
NocaTop control head NST with AS-Interface ("ASI Bus") [675A]	17
Seal kit for control and feedback heads	18
Spacer kit for control and feedback heads	18

1.1.6 Accessories for Butterfly Valves

NocaTop feedback head for pneumatic Nocado rotary actuators [675]



The NocaTop feedback head reports the current switching state of valve drive to a higher-level system control using a 0/24 VDC signal. The NocaTop feedback head is only intended for operation in conjunction with pneumatic Nocado actuators. The NocaTop feedback head is mounted "on top" of the Nocado actuator. Nocado actuators can also be retrofitted with the NocaTop feedback head be equipped



For rotary drive

execution	Square	D1 [mm]	D2 [mm]	H1 [mm]	H2 [mm]
VK95	9,5	89	-	310	-
VK115	11,5	89	108	310	378
VK140	14,0	89	133	310	426

Technical specifications:

Depending on the size of the Nocado rotary drive used, the design must be selected (VK = square of the shaft of the Nocado rotary drive).

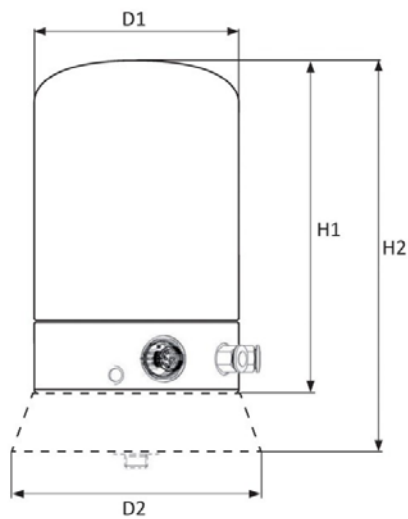
For further technical data see Technical Information NocaTop.

Actuator	Stainless steel	Stainless steel	Stainless steel	Hygienic White (POM)
	Article-Nr.	Article-Nr.	Article-Nr.	M12-Stecker Article-Nr.
VK95	C165.08.6Y1.1001	C165.08.6YY.1001	C165.08.6Y1.2001	C165.08.6YY.2001
VK115	C165.14.6Y1.1001	C165.14.6YY.1001	C165.14.6Y1.2001	C165.14.6YY.2001
VK140	C165.16.6Y1.1001	C165.16.6YY.1001	C165.16.6Y1.2001	C165.16.6YY.2001

NocaTop control head NC / NO [675S]



The NocaTop control head NC / NO reports the current switching state of a valve drive to a higher-level system control via 0/24 VDC signal. An integrated solenoid valve allows the direct control of an NC / NO valve drive by the system control via 0/24 VDC signal. The NocaTop control head is intended only for use in conjunction with Nocado rotary actuators. The NocaTop control head is mounted "on top" on the Nocado rotary drive. Nocado rotary actuators can also be retrofitted with the NocaTop control head.



Actuator for Rotary Drive	Square	D1 [mm]	D2 [mm]	H1 [mm]	H2 [mm]
VK95	9,5	89	-	310	-
VK115	11,5	89	108	310	378
VK140	14,0	89	133	310	426

Technical Data:
NC = air spring/Normally Close
NO = spring-air/Normally open

The design must be selected according to the size of the Nocado rotary drive used (VK = square of the shaft of the Nocado rotary drive).

Further technical data see Technical Information NocaTop.

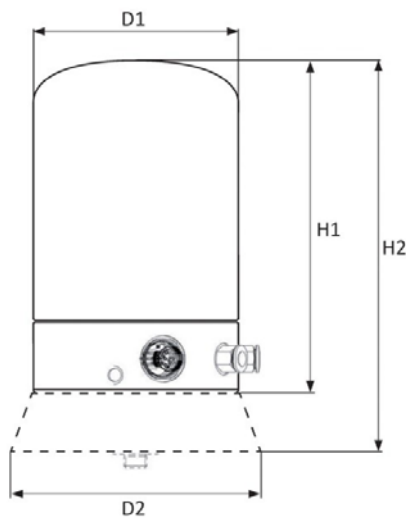
Actuator	Stainless steel Article-Nr.	Stainless steel Article-Nr.	Stainless steel Article-Nr.	Hygienic White (POM) M12-Stecker Article-Nr.
VK95	C165.08.6Y1.1010	C165.08.6YY.1010	C165.08.6Y1.2010	C165.08.6YY.2010
VK115	C165.14.6Y1.1010	C165.14.6YY.1010	C165.14.6Y1.2010	C165.14.6YY.2010
VK140	C165.16.6Y1.1010	C165.16.6YY.1010	C165.16.6Y1.2010	C165.16.6YY.2010

1.1.6 Accessories for Butterfly Valves

NocaTop control head NC / NO with AS-Interface ("ASI Bus") [675A]



The NocaTop control head reports the current switching state of a valve drive to a higher-level system control via the AS-Interface bus signal. An integrated solenoid valve allows the direct control of a valve drive by the system control via AS-Interface bus signal. The NocaTop control head is intended only for use in conjunction with Nocado rotary actuators. The NocaTop control head is mounted "on top" on the Nocado rotary drive. Nocado rotary actuators can also be retrofitted with the NocaTop control head.



Actuator for Rotary Drive	Square	D1 [mm]	D2 [mm]	H1 [mm]	H2 [mm]
VK95	9,5	89	-	310	-
VK115	11,5	89	108	310	378
VK140	14,0	89	133	310	426

Technical Data:
NC = air spring/normally closed
NO = spring-air / normally open

Depending on the size of the Nocado rotary drive used, the design must be selected (VK = square of the shaft of the Nocado rotary drive).

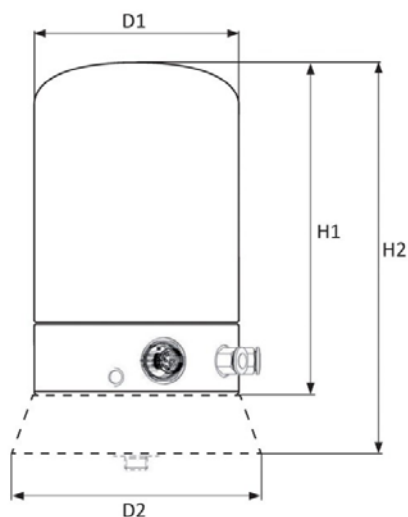
Further technical data see Technical Information NocaTop.

Actuator	Stainless Steel M12- Connector Article-Nr.	Hygienic White (POM) M12-Connector Article-Nr.
VK95	C165.08.6Y1.2020	C165.08.6YY.2020
VK115	C165.14.6Y1.2020	C165.14.6YY.2020
VK140	C165.16.6Y1.2020	C165.16.6YY.2020

NocaTop steering head NST [675S]



The NocaTop control head NST reports the current switching state of a valve drive to a higher-level system control via 0/24 VDC signal. Two integrated solenoid valves allow the direct control of an NST valve drive by the system control via 0/24 VDC signal. The NocaTop control head is intended only for use in conjunction with Nocado rotary actuators. The NocaTop control head is mounted "on top" on the Nocado rotary drive. Nocado rotary actuators can also be retrofitted with the NocaTop control head.



Actuator for Rotary Drive	Square	D1 [mm]	D2 [mm]	H1 [mm]	H2 [mm]
VK95	9,5	89	-	310	-
VK115	11,5	89	108	310	378
VK140	14,0	89	133	310	426

Technical Data:
NST = Air-Air / non stable

Depending on the size of the Nocado rotary drive used, the design must be selected (VK = square of the shaft of the Nocado rotary drive).

Further technical data see Technical Information NocaTop.

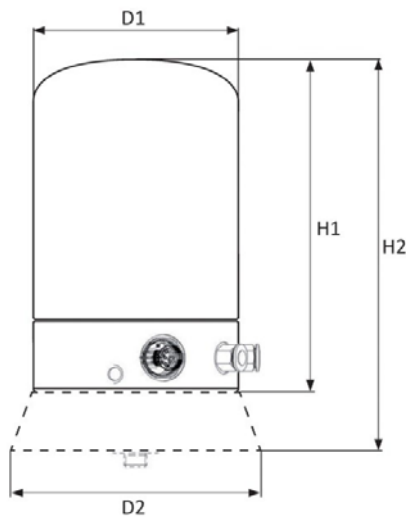
Actuator	Stainless steel Article-Nr.	Stainless steel Article-Nr.	Stainless steel Article-Nr.	Hygienic White (POM) M12-Stecker Article-Nr.
VK95	C165.08.6Y1.1015	C165.08.6YY.1015	C165.08.6Y1.2015	C165.08.6YY.2015
VK115	C165.14.6Y1.1015	C165.14.6YY.1015	C165.14.6Y1.2015	C165.14.6YY.2015
VK140	C165.16.6Y1.1015	C165.16.6YY.1015	C165.16.6Y1.2015	C165.16.6YY.2015

1.1.6 Accessories for Butterfly Valves

NocaTop Control Head NST with AS-Interface ("ASI Bus") [675A]



The NocaTop control head NST with AS-Interface reports the current switching state of a valve drive to a higher-level system control using the AS-Interface bus signal. Two integrated solenoid valves allow the direct control of an NST valve drive by the system controller using the AS-Interface bus signal. The NocaTop control head is only intended for operation in conjunction with Nocado rotary actuators. The NocaTop control head is mounted "on top" on the Nocado rotary actuator. Nocado rotary actuators can also be retrofitted with the NocaTop control head.



Actuator for Rotary Drive	Square	D1 [mm]	D2 [mm]	H1 [mm]	H2 [mm]
VK95	9,5	89	-	310	-
VK115	11,5	89	108	310	378
VK140	14,0	89	133	310	426

Technical specifications:
 NST = air-air / non stable

Depending on the size of the Nocado rotary drive used, the design must be selected (VK = square of the shaft of the Nocado rotary drive).

For further technical data see Technical Information NocaTop.).

Actuator	Stainless Steel M12- Connector Article-Nr.	Hygienic White (POM) M12-Connector Article-Nr.
VK95	C165.08.6Y1.1025	C165.08.6YY.1025
VK115	C165.14.6Y1.1025	C165.14.6YY.1025
VK140	C165.16.6Y1.1025	C165.16.6YY.1025