



1.1 Butterfly valves

1.1.6 Butterfly valves • Attachments

	page
Technical Information: Revertive signal and control tops	
Technical Information: Positioner tops	
Handle for butterfly and ball valve (standard) (667).....	1
BV-handle, infinitely variable (668).....	1
BV-handle, lockable (669).....	1
BV-handle with limit switch (670).....	1
BV-handle for proximity switch, horizontal fixing (671).....	3
BV-handle for proximity switch, vertical fixing (671).....	3
Pneumatic actuator, air/air for butterfly valves (677).....	5
Pneumatic actuator, air/spring (NC) for butterfly valves (678).....	5
Pneumatic actuator, spring/air (NO) for butterfly valves (678).....	7
Control head for actuator A/S.....	7
Revertive signal top.....	9
Actuator pneumatic air/air with top.....	9
ASI top for actuator A/S.....	11
Electrical actuator for butterfly valves (679).....	11
Actuator with electric pneumatic adjuster.....	13
Pneumatic actuator, air/spring, with manual adj. mech. stop for butterfly valves (678E).....	13
Pneumatic actuator, low height flap action, air/air for butterfly valves (680).....	15
Holding device for butterfly and ball valves (681).....	15
Signal contact arm (684).....	15
Holding device for proximity switch (683A).....	15
Holding device for limit switch (682).....	17
Position indicator for actuators.....	17
Holding device for double sensor.....	17
Switch cam for double sensor.....	17
Inductive proximity double sensor, type NBN 3-F25-E8-V1.....	19
Limit switch with bolts (690).....	19
Proximity switch, inductive type NBN 4-12 GM50-E2 (686).....	19
Proximity switch, inductive type NBN 4-12 GM50-E2-V1 (686).....	19
Proximity switch, inductive type NBB 2-12 GM50-E2 (686).....	21
Proximity switch, inductive type NBB 2-12 GM50-E2-V1 (686).....	21
Proximity switch, inductive type NBB 5-18 GM50-E2 (686).....	21
Proximity switch, inductive type NBB 5-18 GM50-E2-V1 (686).....	21
Plug, straight with terminal.....	23
Plug, angled, with cord.....	23
Plug, straight, with cord.....	23
Plug, angled, with cord.....	23
3/2 way solenoid valve with base.....	25

1.1.6 butterfly valves • attachments

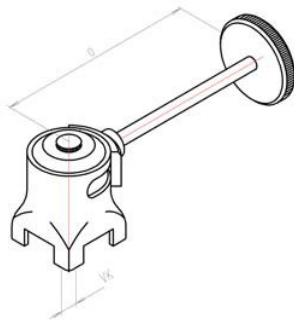


handle for butterfly and ball valve (standard) (667)



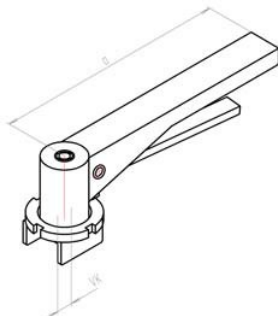
DN	DN	a	squarebare	weight (kg)
15	15-65	132	9	0,400
20	15-65	132	9	0,400
25	15-65	132	9	0,400
32	15-65	132	9	0,400
40	15-65	132	9	0,400
50	15-65	132	9	0,400
65	15-65	132	9	0,400
80	3"-100	165	9	0,850
100	3"-100	165	9	0,850
125	125-150	216	14	1,830
150	125-150	216	14	1,830
200	200	276	14	1,910
MIN	3"-100	165	11	0,850

bv-handle, infinitely variable (668)



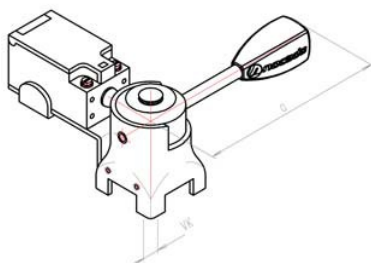
DN	a	squarebare	weight (kg)
15 - 65	126	9	0,400
3" - 100	145	9	0,850
125 - 200	233	14	1,830
3" - 100	MIN	MIN	
3" - 100	145	11	0,850

bv-handle, lockable (669)



DN	a	squarebare	weight (kg)
15-65	145	9	0,290
3"-100	145	9	0,290

bv-handle with limit switch (670)



DN	a	squarebare	weight (kg)
15-32	132	9	0,620
40-65	132	9	0,630
3"-100	165	9	1,060
125-150	216	14	2,040
200	276	14	2,120
3"-100	165	11	1,060



1.1.6 butterfly valves • attachments

handle for butterfly and ball valve (standard) (667)

DN	304 brushed, bv Ident number	304 brushed, w. bore Ident number	304 brushed, ball - v. Ident number
15	• C265.08.131.0000	• C265.08.131.0001	
20	• C265.08.131.0000	• C265.08.131.0001	
25	• C265.08.131.0000	• C265.08.131.0001	• C265.08.131.0000
32	• C265.08.131.0000	• C265.08.131.0001	• C265.08.131.0000
40	• C265.08.131.0000	• C265.08.131.0001	• C265.08.131.0000
50	• C265.08.131.0000	• C265.08.131.0001	• C265.08.131.0000
65	• C265.08.131.0000	• C265.08.131.0001	• C265.08.131.0000
80	• C265.13.131.0000	• C265.13.131.0001	• C265.13.131.0053
100	• C265.13.131.0000	• C265.13.131.0001	• C265.13.131.0053
125	• C265.16.131.0000	○ C265.16.131.0001	
150	• C265.16.131.0000	○ C265.16.131.0001	
200	• C265.18.131.0000	○ C265.18.131.0001	
MIN	• C265.13.131.0053	○ C265.13.131.0054	

bv-handle, infinitely variable (668)

DN	304 brushed Ident number
15 - 65	○ C265.08.313.0002
3" - 100	○ C265.13.313.0002
125 - 200	○ C265.16.313.0002
3" - 100	○ C265.13.313.0071

bv-handle, lockable (669)

DN	304 brushed Ident number
15-65	○ C265.08.310.0003
3"-100	○ C265.13.310.0003

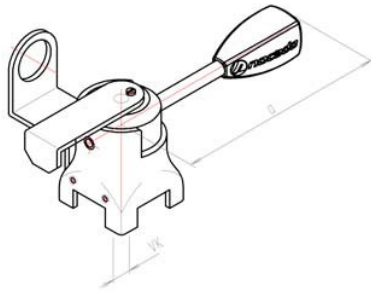
bv-handle with limit switch (670)

DN	304 brushed, pos. o/c Ident number	304 brushed, pos. open Ident number	304 brushed, pos. closed Ident number
15-32	○ C265.08.131.0004	○ C265.08.131.0005	○ C265.08.131.0006
40-65	○ C265.08.131.0004	○ C265.08.131.0005	○ C265.08.131.0006
3"-100	○ C265.13.131.0004	○ C265.13.131.0005	○ C265.13.131.0006
125-150	○ C265.16.131.0004	○ C265.16.131.0005	○ C265.16.131.0006
200	○ C265.18.131.0004	○ C265.18.131.0005	○ C265.18.131.0006
3"-100	○ C265.13.131.0072	○ C265.13.131.0073	○ C265.13.131.0074

1.1.6 butterfly valves • attachments

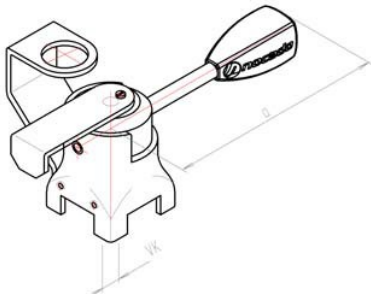


bv-handle for prox. switch, horizontal fixing (671)



DN	a	squarebare	weight (kg)
15-32	132	9	0,620
40-65	132	9	0,630
3"-100	165	9	1,060
125-150	216	14	2,040
200	276	14	2,120
3"-100	165	11	1,060

bv-handle for prox. switch, vertical fixing (671)



DN	a	squarebare	weight (kg)
15-32	132	9	0,470
40-65	132	9	0,480
3"-100	165	9	0,910
125-150	216	14	1,890
200	276	14	1,970
3"-100	165	11	0,910

1.1.6 butterfly valves • attachments



Rohr nach DIN 11850 Reihe 2

DN	304 brushed, 12mm, o/c Ident number	p	304 brushed, 12mm, open Ident number	304 brushed, 12mm, open Ident number	304 brushed, 18mm, o/c Ident number
15-32	o c265.08.131.0141		o c265.08.131.0142	o c265.08.131.0143	o c265.08.131.0147
40-65	o c265.08.131.0141		o c265.08.131.0142	o c265.08.131.0143	o c265.08.131.0147
3"-100	o c265.13.131.0141		o c265.13.131.0142	o c265.13.131.0143	o c265.13.131.0147
125-150	o c265.16.131.0141		o c265.16.131.0142	o c265.16.131.0143	o c265.16.131.0147
200	o c265.18.131.0141		o c265.18.131.0142	o c265.18.131.0143	o c265.18.131.0147
3"-100	o c265.13.131.0144		o c265.13.131.0145	o c265.13.131.0146	o c265.13.131.0150

Rohr nach DIN 11850 Reihe 2

DN	304 brushed, 18mm, open Ident number	304 brushed, 18mm, open Ident number
15-32	o c265.08.131.0148	o c265.08.131.0149
40-65	o c265.08.131.0148	o c265.08.131.0149
3"-100	o c265.13.131.0148	o c265.13.131.0149
125-150	o c265.16.131.0148	o c265.16.131.0149
200	o c265.18.131.0148	o c265.18.131.0149
3"-100	o c265.13.131.0151	o c265.13.131.0152

Rohr nach DIN 11850 Reihe 2

DN	304 brushed, 12mm, o/c Ident number	304 brushed, 12mm, open Ident number	304 brushed, 12mm, open Ident number	304 brushed, 18mm, o/c Ident number
15-32	o c265.08.131.0153	o c265.08.131.0154	o c265.08.131.0155	o c265.08.131.0159
40-65	o c265.08.131.0153	o c265.08.131.0154	o c265.08.131.0155	o c265.08.131.0159
3"-100	o c265.13.131.0153	o c265.13.131.0154	o c265.13.131.0155	o c265.13.131.0159
125-150	o c265.16.131.0153	o c265.16.131.0154	o c265.16.131.0155	o c265.16.131.0159
200	o c265.18.131.0153	o c265.18.131.0154	o c265.18.131.0155	o c265.18.131.0159
3"-100	o c265.13.131.0156	o c265.13.131.0157	o c265.13.131.0158	o c265.13.131.0162

o/c = open/closed

Rohr nach DIN 11850 Reihe 2

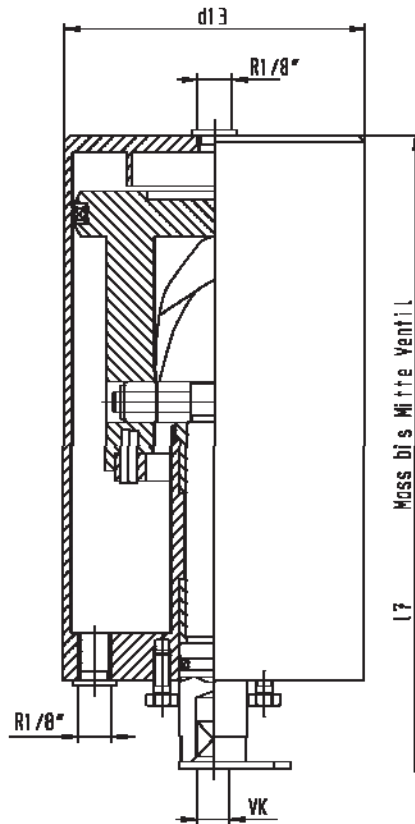
DN	304 brushed, 18mm, open Ident number	304 brushed, 18mm, open Ident number
15-32	o c265.08.131.0160	o c265.08.131.0161
40-65	o c265.08.131.0160	o c265.08.131.0161
3"-100	o c265.13.131.0160	o c265.13.131.0161
125-150	o c265.16.131.0160	o c265.16.131.0161
200	o c265.18.131.0160	o c265.18.131.0161
3"-100	o c265.13.131.0163	o c265.13.131.0164

o/c = open/closed

1.1.6 butterfly valves • attachments

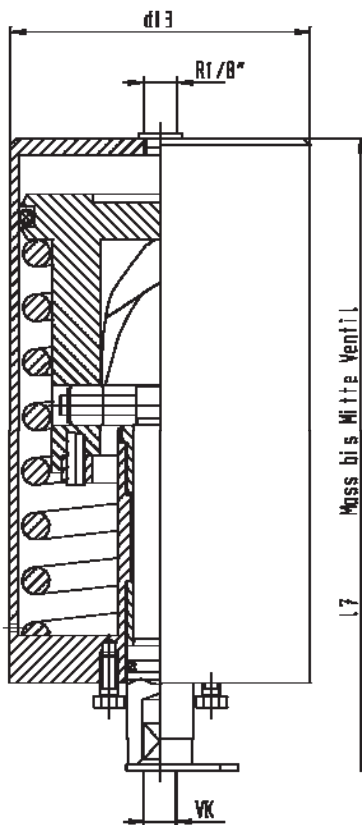


pneumatic actuator, air/air for butterfly valves (677)



DN	d13	l7	squarebare	weight (kg)
15	89	231	9.5	2,480
20	89	231	9.5	2,480
25	89	231	9.5	2,480
32	89	234	9.5	2,480
40	89	236	9.5	2,480
50	89	242	9.5	2,480
65	89	251	9.5	2,480
80	89	260	9.5	2,480
100	89	270	9.5	2,480
125	133	369	14	7,200
150	133	384	14	7,200
200	133	428	14	7,200

pneumatic actuator, air/spring (NC) for butterfly valves (678)



DN	d13	l7	squarebare	weight (kg)
15-25	89	231	9.5	3,130
32	89	234	9.5	3,130
40	89	236	9.5	3,130
50	89	242	9.5	3,130
65	89	251	9.5	3,130
75/3"	89	260	9.5	3,130
80	89	260	9.5	3,130
100	89	270	9.5	3,130
125	133	369	14	9,310
150	133	384	14	9,310
200	133	428	14	9,310
75/3"-80	108	291	11.5	4,750
100	108	301	11.5	4,750

1.1.6 butterfly valves • attachments



pneumatic actuator, air/air for butterfly valves (677)

DN	304 brushed Ident number
15	○ C 165.08.310.0000
20	○ C 165.08.310.0000
25	○ C 165.08.310.0000
32	○ C 165.08.310.0000
40	○ C 165.08.310.0000
50	○ C 165.08.310.0000
65	○ C 165.08.310.0000
80	○ C 165.08.310.0000
100	○ C 165.08.310.0000
125	○ C 165.16.310.0000
150	○ C 165.16.310.0000
200	○ C 165.16.310.0000

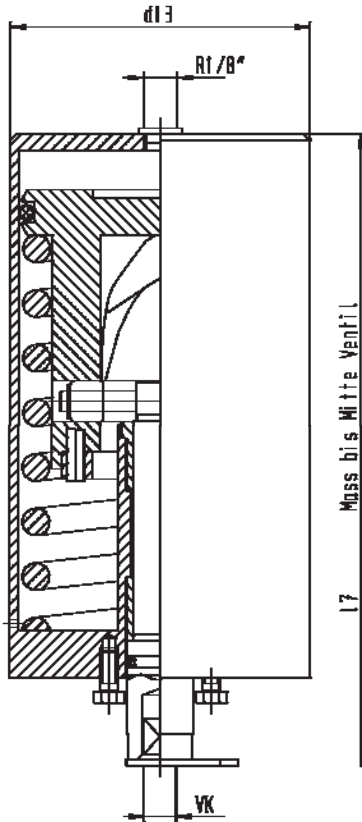
pneumatic actuator, air/spring (NC) for butterfly valves (678)

DN	304 brushed Ident number
15-25	● C 165.08.310.0003
32	● C 165.08.310.0003
40	● C 165.08.310.0003
50	● C 165.08.310.0003
65	● C 165.08.310.0003
75/3"	● C 165.08.310.0003
80	● C 165.08.310.0003
100	● C 165.08.310.0003
125	● C 165.16.310.0003
150	● C 165.16.310.0003
200	● C 165.16.310.0003
75/3"-80	● C 165.14.310.0004
100	● C 165.14.310.0004

1.1.6 butterfly valves • attachments

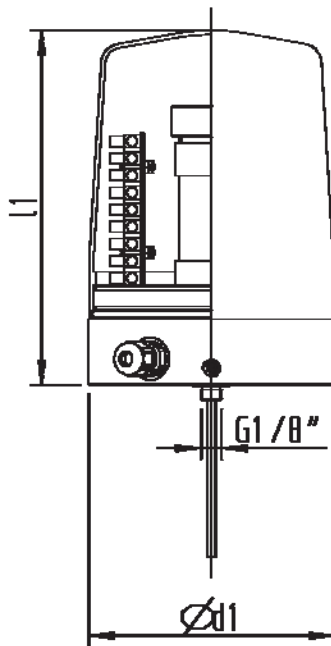


pneumatic actuator, spring/air (NO) for butterfly valves (678)



DN	d13	l7	squarebare	weight (kg)
15-25	89	231	9.5	3,130
32	89	234	9.5	3,130
40	89	236	9.5	3,130
50	89	242	9.5	3,130
65	89	251	9.5	3,130
75/3"-80	89	260	9.5	3,130
100	89	270	9.5	3,130
125	133	369	14	9,310
150	133	384	14	9,310
200	133	428	14	9,310
75/3"-80	108	291	11.5	4,750
100	108	301	11.5	4,750

controlhead for actuator A/S



DN	l1	weight (kg)
25 - 200	166	-

1.1.6 butterfly valves • attachments



pneumatic actuator, spring/air (NO) for butterfly valves (678)

DN	304 EPDM polished Ident number
15-25	o c 165.08.310.0010
32	o c 165.08.310.0010
40	o c 165.08.310.0010
50	o c 165.08.310.0010
65	o c 165.08.310.0010
75/3"-80	o c 165.08.310.0010
100	o c 165.08.310.0010
125	o c 165.16.310.0010
150	o c 165.16.310.0010
200	o c 165.16.310.0010
75/3"-80	o c 165.14.310.0010
100	o c 165.14.310.0010

controlhead for actuator A/S

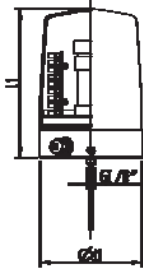
DN	metal cap, terminal block Ident number	plastic cap, terminal block Ident number	metal cap with plug Ident number	plastic cap with plug Ident number
25 - 200	o c 165.08.6y0.0050	o c 165.08.6y0.0049	o c 165.08.6y0.0051	o c 165.08.6y0.0052

2 x prox.sw, 1 x m-valve, 24 VDC, version air/air on request

1.1.6 butterfly valves • attachments

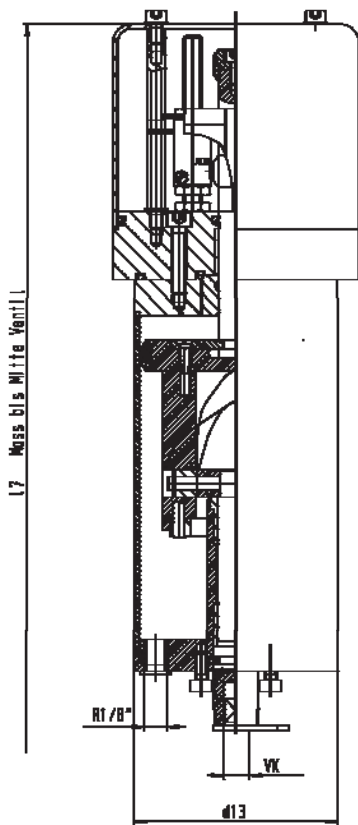


revertive signal top



DN	l1	weight (kg)
25 - 200	166	-

actuator pneumatic air/air with top



DN	d13	l7	squarebare	weight (kg)
25	89	353	9.5	-
32	89	356	9.5	-
40	89	358	9.5	-
50	89	364	9.5	-
65	89	373	9.5	-
75/3"-80	89	382	9.5	-
100	89	392	9.5	-
125	133	521	14	-
150	133	536	14	-
200	133	580	14	-
75/3"-80	108	443	11.5	-
100	108	453	11.5	-



1.1.6 butterfly valves • attachments

t-pieces, short, DIN 11852 (for tubing acc. DIN 11850 line 2) (5111N)

DN	metal cap, terminal block Ident number	plastic cap, terminal block Ident number	metal cap with plug Ident number	plastic cap with plug Ident number
25 - 200	o c 165.08.6y0.0057	o c 165.08.6y0.0058	o c 165.08.6y0.0059	o c 165.08.6y0.0060

2 x prox.sw, 24 VDC, version air/air on request

actuator pneumatic air/air with top

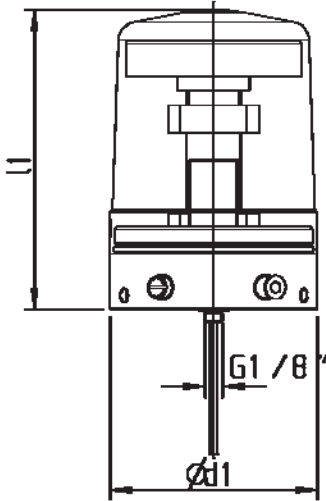
DN	2 x prox.sw., 2 x m-valve, 24 VDC Ident number	2 x m-switch, 2 x m-valve, 24 VDC Ident number	2 x prox.-switch, 24 VDC Ident number	2 x m-switch, 24 VDC Ident number
25	o c 165.08.310.0022	o c 165.08.310.0023	o c 165.08.310.0025	o c 165.08.310.0027
32	o c 165.08.310.0022	o c 165.08.310.0023	o c 165.08.310.0025	o c 165.08.310.0027
40	o c 165.08.310.0022	o c 165.08.310.0023	o c 165.08.310.0025	o c 165.08.310.0027
50	o c 165.08.310.0022	o c 165.08.310.0023	o c 165.08.310.0025	o c 165.08.310.0027
65	o c 165.08.310.0022	o c 165.08.310.0023	o c 165.08.310.0025	o c 165.08.310.0027
75/3"-80	o c 165.08.310.0022	o c 165.08.310.0023	o c 165.08.310.0025	o c 165.08.310.0027
100	o c 165.08.310.0022	o c 165.08.310.0023	o c 165.08.310.0025	o c 165.08.310.0027
125	o c 165.16.310.0022	o c 165.16.310.0023	o c 165.16.310.0025	o c 165.16.310.0027
150	o c 165.16.310.0022	o c 165.16.310.0023	o c 165.16.310.0025	o c 165.16.310.0027
200	o c 165.16.310.0022	o c 165.16.310.0023	o c 165.16.310.0025	o c 165.16.310.0027
75/3"-80	o c 165.14.310.0022	o c 165.14.310.0023	o c 165.14.310.0025	o c 165.14.310.0027
100	o c 165.14.310.0022	o c 165.14.310.0023	o c 165.14.310.0025	o c 165.14.310.0027

1.1.6 butterfly valves • attachments

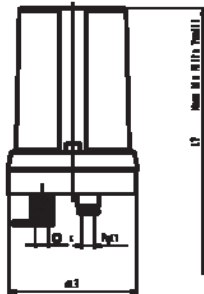


ASI top for actuator A/S

DN	d1	l1	weight (kg)
25 - 200	115	166	-



electrical actuator for butterfly valves (679)



DN	d13	l7/24 V DC	l7/230 V AC	squarebare	weight (kg)
25	116	238	279	9.5	-
32	116	242	282	9.5	-
40	116	244	284	9.5	-
50	116	250	290	9.5	-
65	116	259	299	9.5	-
75/3"-80"	116	268	308	9.5	-
100	116	270	318	9.5	-
125	149	416	416	14	-
150	149	460	460	14	-
200	149	-	-	14	-

1.1.6 butterfly valves • attachments



ASI top for actuator A/S

DN	Ident number
25 - 200	o c 165.08.6Y0.0033
Further control versions are possible, version air/air on request	

t-pieces, short, DIN 11852 (for tubing acc. DIN 11850 line 2) (5111N)

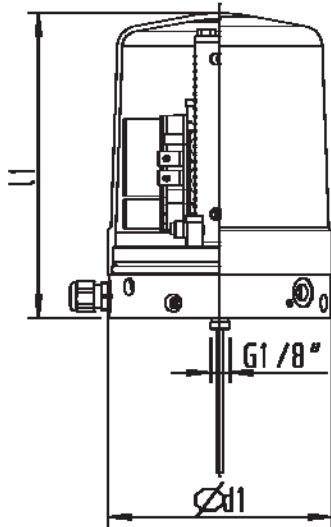
DN	AL varnished, 24VDC Ident number	AL varnished, 230VAC Ident number
25	o c 165.08.6Y0.0034	o c 165.08.6Y0.0035
32	o c 165.08.6Y0.0034	o c 165.08.6Y0.0035
40	o c 165.08.6Y0.0034	o c 165.08.6Y0.0035
50	o c 165.08.6Y0.0034	o c 165.08.6Y0.0035
65	o c 165.08.6Y0.0034	o c 165.08.6Y0.0035
75/3"-80"	o c 165.08.6Y0.0034	o c 165.08.6Y0.0035
100	o c 165.08.6Y0.0034	o c 165.08.6Y0.0035
125	o c 165.16.6Y0.0034	o c 165.16.6Y0.0035
150	o c 165.16.6Y0.0034	o c 165.16.6Y0.0035
200	o c 165.16.6Y0.0034	o c 165.16.6Y0.0035

1.1.6 butterfly valves • attachments

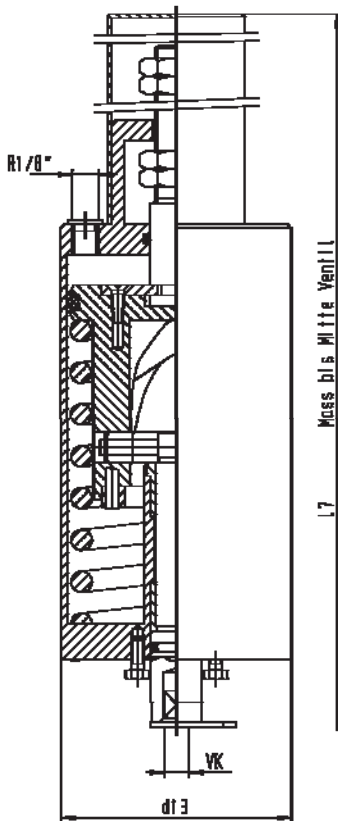


actuator with electric pneum. adjuster

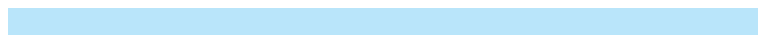
DN	d1	l1	weight (kg)
25 - 100	114	157	-
125 - 200	114	250	-



pneu. actuator, air/spring with man. adj. mech.stop for butterfly valves (678E)



DN	d13	l7	squarebare	weight (kg)
25	89	386	9.5	4,300
32	89	389	9.5	4,300
40	89	391	9.5	4,300
50	89	397	9.5	4,300
65	89	406	9.5	4,300
75/3"-80	89	415	9.5	4,300
100	89	425	9.5	4,300
125	133	576	14	10,800
150	133	591	14	10,800
200	133	635	14	10,800
75/3"-80	108	469	11.5	6,100
100	108	479	11.5	6,100



1.1.6 butterfly valves • attachments



actuator with electric pneum. adjuster

DN	must value 4-20mA, reply 0,2-10V Ident number	must value 4-20mA, reply 4-20mA Ident number
25 - 100	o c 165.08.6Y0.0044	o c 165.08.6Y0.0046
125 - 200	o c 165.16.6Y0.0044	o c 165.16.6Y0.0046

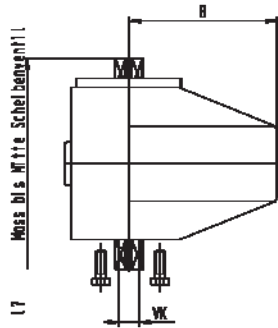
pneu. actuator, air/spring with man. adj. mech.stop for butterfly valves (678E)

DN	304 brushed Ident number
25	o C 165.08.310.0008
32	o C 165.08.310.0008
40	o C 165.08.310.0008
50	o C 165.08.310.0008
65	o C 165.08.310.0008
75/3"-80	o C 165.08.310.0008
100	o C 165.08.310.0008
125	o C 165.16.310.0008
150	o C 165.16.310.0008
200	o C 165.16.310.0008
75/3"-80	o C 165.14.310.0008
100	o C 165.14.310.0008

1.1.6 butterfly valves • attachments

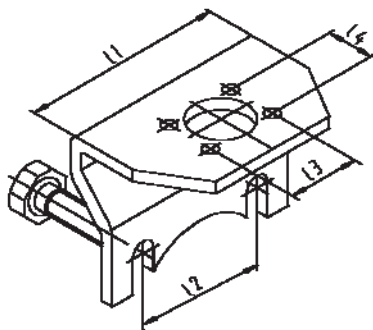


pneu. actuator, low height flap action, air/air for butterfly valves (680)



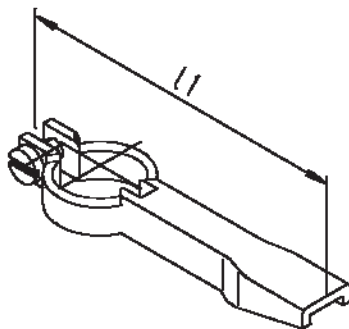
DN	B	l7	squarebare	type	weight (kg)
25	78	153	9.5	050 - 100	1,300
32	78	156	9.5	050 - 100	1,300
40	78	158	9.5	050 - 100	1,300
50	78	165	9.5	050 - 100	1,300
65	78	174	9.5	050 - 100	1,300
75/3"-80	78	181	9.5	050 - 100	1,300
100	78	192	9.5	050 - 100	1,300
125	114	254	14	080 - 100	3,200
150	114	269	14	080 - 100	3,200
200	114	-	14	080 - 100	3,200

holding device for butterfly and ball valves (681)

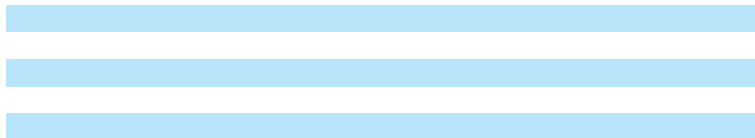
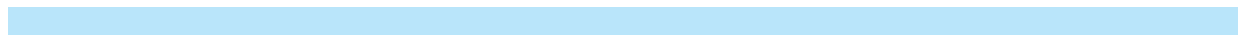


DN	l1	l2	l3	l4	weight (kg)
15	79.5	51.5	30.3	17.6	0,220
20	79.5	51.5	30.3	17.6	0,220
25	79.5	51.5	30.3	17.6	0,220
32	83	55	30.3	17.6	0,240
40	86	58	30.3	17.6	0,240
50	95.5	67.5	30.3	17.6	0,270
65	107.5	79.5	30.3	17.6	0,310
80	118	90	30.3	17.6	0,380
100	132	104	30.3	17.6	0,410
125	118	90	44	25.4	0,460
150	132	105	44	25.4	0,520
200	132	105	44	25.4	0,520

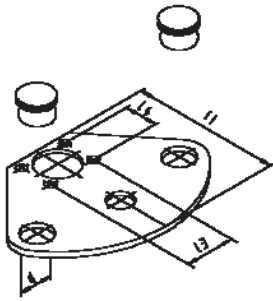
signal contact arm (684)



DN	l1	weight (kg)
15-100	91	0,030
125-200	117	0,040
3"-100	100	0,030



holding device for proximity switch (683A)



DN	for actuator	I1	I3	I4	weight (kg)
15-100	L/F	103	30.3	17.6	0.140
15-100	L/L	103	30.3	17.6	0.140
125-200	L/F	130	44	25.4	0.180
3"-100	L/F	112	30.3	17.6	0.140



1.1.6 butterfly valves • attachments

t-pieces, short, DIN 11850 (for tubing acc. DIN 11850 line 2) (5111N)

DN	304 EPDM polished Ident number
25	o c 896.08.6X0.0001
32	o c 896.08.6X0.0001
40	o c 896.08.6X0.0001
50	o c 896.08.6X0.0001
65	o c 896.08.6X0.0001
75/3"-80	o c 896.08.6X0.0001
100	o c 896.08.6X0.0001
125	o c 896.16.6X0.0001
150	o c 896.16.6X0.0001
200	o c 896.16.6X0.0001

DN	304 polished, sv Ident number	304 matt, sv Ident number	304 polished, ball-v. Ident number	304 matt, ball-v. Ident number
15	• c 265.08.111.0010	• c 265.08.211.0010	• c 265.09.111.0010	• c 265.09.211.0010
20	• c 265.08.111.0010	• c 265.08.211.0010	• c 265.09.111.0010	• c 265.09.211.0010
25	• c 265.08.111.0010	• c 265.08.211.0010	• c 265.09.111.0010	• c 265.09.211.0010
32	• c 265.09.111.0010	• c 265.09.211.0010	• c 265.10.111.0010	• c 265.10.211.0010
40	• c 265.10.111.0010	• c 265.10.211.0010	• c 265.11.111.0010	• c 265.11.211.0010
50	• c 265.11.111.0010	• c 265.11.211.0010	• c 265.12.111.0010	• c 265.12.211.0010
65	• c 265.12.111.0010	• c 265.12.211.0010	• c 265.14.111.0010	• c 265.14.211.0010
80	• c 265.14.111.0010	• c 265.14.211.0010	• c 265.15.111.0010	• c 265.15.211.0010
100	• c 265.15.111.0010	• c 265.15.211.0010	• c 265.16.111.0010	o c 265.16.211.0010
125	• c 265.16.111.0010	o c 265.16.211.0010	-	-
150	• c 265.17.111.0010	o c 265.17.211.0010	-	-
200	• c 265.18.111.0010	• c 265.18.211.0010	-	-

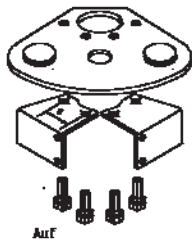
DN	304 polished Ident number	304 matt Ident number
15-100	• c 265.08.110.0015	• c 265.08.210.0015
125-200	• c 265.16.110.0015	• c 265.16.210.0015
3"-100	• c 265.14.110.0015	o c 265.14.210.0015

DN	304 polished, d=18mm Ident number	Ident number	Ident number	Ident number
15-100	• c 265.08.11Y.0094	• c 265.08.11Y.0107	• c 265.08.21Y.0094	• c 265.08.21Y.0107
15-100	o c 265.08.11Y.0095	o c 265.08.11Y.0108	• c 265.08.21Y.0095	o c 265.08.21Y.0108
125-200	o c 265.16.11Y.0094	• c 265.16.11Y.0107	o c 265.16.21Y.0094	o c 265.16.21Y.0107
3"-100	• c 265.14.11Y.0094	o c 265.14.11Y.0107	o c 265.14.21Y.0094	o c 265.14.21Y.0107

1.1.6 butterfly valves • attachments

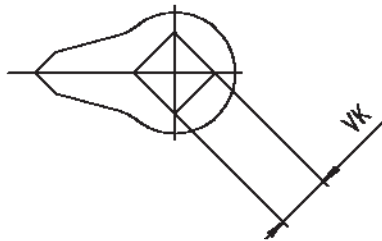


holding device for limit switch (682)



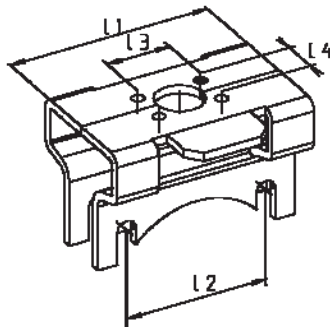
DN	VK	weight (kg)
15-100	9.5	0,190
125-200	14	0,250
3"-100	11.5	0,190

position indicator for actuators



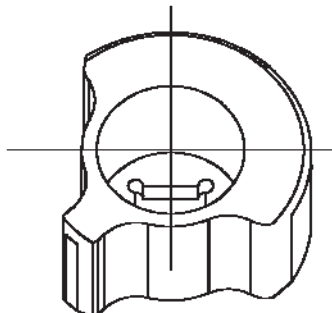
DN	VK	weight (kg)
15-100	9,5	-
125-200	14	-
3"-100	11,5	-

holding device for double sensor



DN	I1	I2	I3	I4	weight (kg)
25	79.5	51.5	30.3	17.6	-
32	83	55	30.3	17.6	-
40	86	58	30.3	17.6	-
50	95.5	67.5	30.3	17.6	-
65	107.5	79.5	30.3	17.6	-
75/3"	118	90	30.3	17.6	-
80	118	90	30.3	17.6	-
100	132	104	30.3	17.6	-

switch cam for double sensor



DN	VK	weight (kg)
25-100	9.5	-
3"-100	11.5	-



1.1.6 butterfly valves • attachments

t-pieces, short, DIN 11850 (for tubing acc. DIN 11850 line 2) (5111N)

DN	304 polished, open/cl. Ident number	304 polished, open Ident number	304 polished, closed Ident number
15-100	○ C 165.08.11Y.0039	○ C 165.08.11Y.0040	○ C 165.08.11Y.0041
125-200	○ C 165.16.11Y.0039	○ C 165.16.11Y.0040	○ C 165.16.11Y.0041
3"-100	○ C 165.13.11Y.0039	○ C 165.13.11Y.0040	○ C 165.13.11Y.0041

DN	304 Ident number
15-100	C 265.08.310.0016
125-200	C 265.16.310.0016
3"-100	C 265.14.310.0016

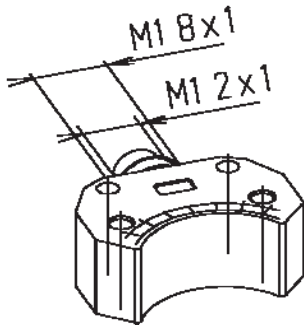
DN	304 polished Ident number
25	○ C 265.08.111.0135
32	○ C 265.09.111.0135
40	○ C 265.10.111.0135
50	○ C 265.11.111.0135
65	○ C 265.12.111.0135
75/3"	○ C 265.13.111.0135
80	○ C 265.14.111.0135
100	○ C 265.15.111.0135

DN	POM Ident number
25-100	○ C 265.08.6Y1.0171
3"-100	○ C 265.13.6Y1.0171

1.1.6 butterfly valves • attachments

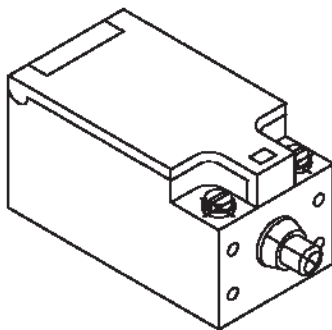


inductive proximity double sensor, type NBN 3-F25-E8-V1



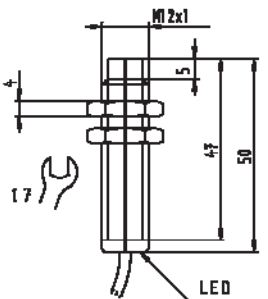
DN	type	weight (kg)
25-100	NBN3-F25-E8-V1	-
25-100	NCN3-F25-N4-V1	-

limit switch with bolts (690)



DN	type	weight (kg)
25-200	protection class : IP 65	0,040
-	switchsystem: jump circuit	-
-	forced closing contact	-
-	nominal voltage Ui : 500V, 25-60 HZ	-
-	switching range Ie : 2,5 A	-
-	Ue : 380 V	-
-	short circuit protection : 10 A (slow blow)	-

proximity switch, inductive type NBN 4-12 GM50-E2 (686)



DN	techn. Data	weight (kg)
25-200	version M12x1	-
-	sn = 4 mm, not flush	-
-	Ub = 10 - 30 VDC	-
-	operating current 0...200mA	-
-	PNP / normally open contact	-
-	housing MS nickelized	-
-	LED - indicator yellow	-
-	cable 2m, PVC	-

1.1.6 butterfly valves • attachments

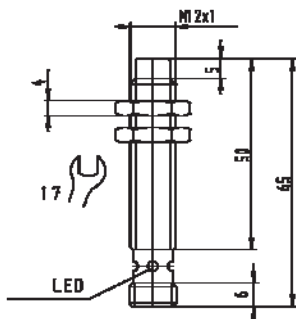
t-pieces, short, DIN 11852 (for tubing acc. DIN 11850 line 2)(5111N)

DN	Ident number
25-100	o C896.00.690.0063
25-100	o C896.00.690.0064

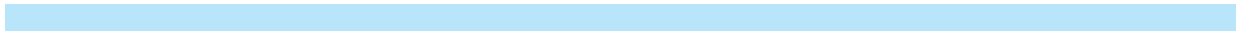
DN	plastic Ident number
25-200	o C899.00.6X1.0000

DN	MS nickelized Ident number
25-200	o C899.12.6X0.0162

proximity switch, inductive type NBN 4-12 GM50-E2-V1 (686)

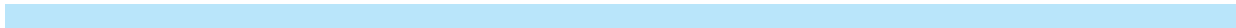
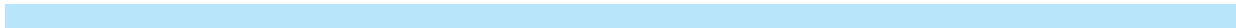
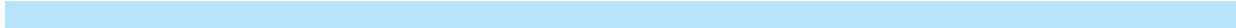
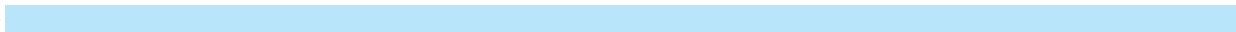
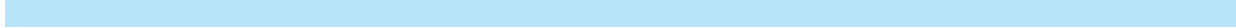


DN	techn. Data	weight (kg)
25-200	version M12x1 sn =	-
-	2 mm, flush Ub =	-
-	10 - 30 VDC	-
-	operating current 0...200mA	-
-	PNP / normally open contact	-
-	housing MS - nickelized LED -	-
-	indicator yellow	-
-	with plug connection M12 x 1	-



DN	MS nickelized Ident number
25-200	o c 899.12.6X0.0163
-	-

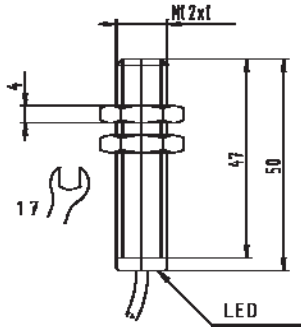
line 2) (5111N)



1.1.6 butterfly valves • attachments

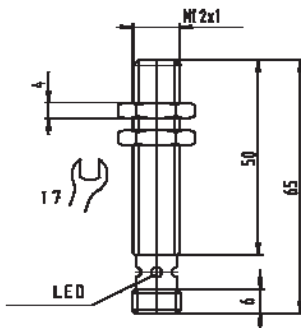


proximity switch, inductive type NBB 2-12 GM50-E2 (686)



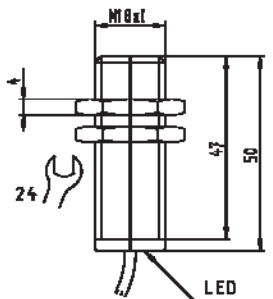
DN	techn. Data	weight (kg)
25-200	version M12x1	-
-	sn = 4 mm, not flush	-
-	Ub = 10 - 30 VDC	-
-	operating current	-
-	PNP / normally open contact	-
-	housing MS - nickelized	-
-	LED - indicator yellow	-
-	cable 2m PVC	-
-	-	-
-	-	-
-	-	-

proximity switch, inductive type NBB 2-12 GM50-E2-V1 (686)



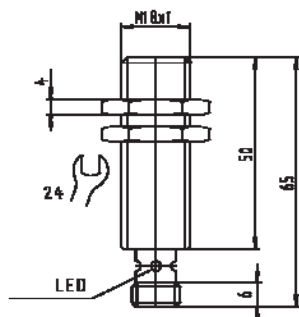
DN	techn. Data	Infodatei	weight (kg)
25-200	version M12 x 1	Info	-
-	sn = 2 mm, flush	-	-
-	Ub = 10 - 30 VDC	-	-
-	operating current 0...200mA	-	-
-	PNP / normally open contact	-	-
-	housing MS - nickelized	-	-
-	LED - indicator yellow	-	-
-	with plug connection M 12 x1	-	-
-	-	-	-
-	-	-	-
-	-	-	-

proximity switch, inductive type NBB 5-18 GM50-E2 (686)



DN	techn. Data	weight (kg)
25-200	version M18 x 1	-
-	sn = 5 mm, flush	-
-	Ub = 10 - 30 VDC	-
-	operating current 0...200mA	-
-	PNP / normally open contact	-
-	housing MS - nickelized	-
-	LED - indicator yellow	-
-	cable 2m PVC	-
-	-	-
-	-	-
-	-	-

proximity switch, inductive type NBB 5-18 GM50-E2-V1(686)



DN	techn. Data	weight (kg)
25-200	Bauform M 18 x 1	-
-	sn = 5 mm, flush	-
-	Ub = 10 - 30 VDC	-
-	operating current 0...200mA	-
-	PNP / normally open contact	-
-	housing MS - nickelized LED - indicator yellow	-
-	with plug connection M12 x1	-
-	-	-
-	-	-
-	-	-



1.1.6 butterfly valves • attachments

t-pieces, short, DIN 11850 (for tubing acc. DIN 11852 (for tubing acc. DIN 11850 line 2) (5111N))

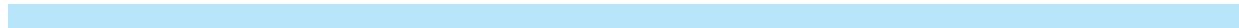
DN	MS nickelized Ident number
25-200	o C 899.12.6X0.0160
-	-

t-pieces, short, DIN 11850 (for tubing acc. DIN 11852 (for tubing acc. DIN 11850 line 2) (5111N))

DN	MS nickelized Ident number
25-200	o C 899.12.6X0.0161
-	-

t-pieces, short, DIN 11850 (for tubing acc. DIN 11852 (for tubing acc. DIN 11850 line 2) (5111N))

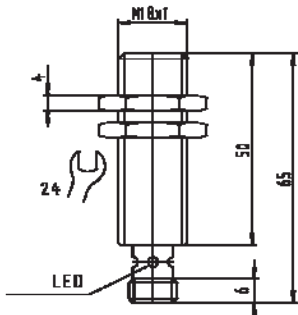
DN	MS nickelized Ident number
25-200	o C 899.18.6X0.0160
-	-



DN	MS nickelized Ident number
25-200	o C899.18.6X0.0161
-	-
-	-
-	-
-	-
-	-
-	-
-	-
-	-

line 2) (5111N)

proximity switch, inductive type NBB 5-18 GM50-E2-V1(686)

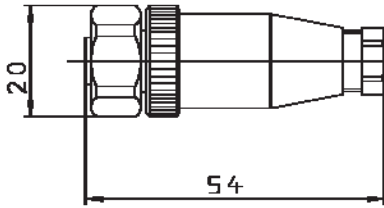


DN	techn. Data	weight (kg)
25-200	Bauform M 18 x 1	-
-	sn = 5 mm, flush	-
-	Ub = 10 - 30 VDC	-
-	operating current 0...200mA	-
-	PNP / normally open contact	-
-	housing MS - nickelized LED -	-
-	indicator yellow	-
-	with plug connection M12 x1	-
-	-	-
-	-	-
-	-	-

1.1.6 butterfly valves • attachments

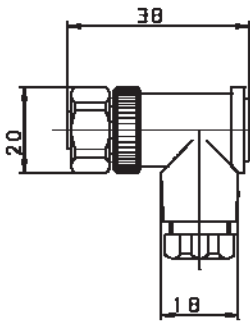


plug, straight with terminal



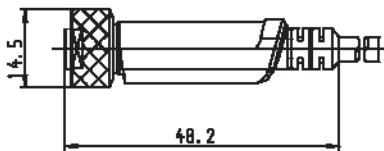
DN	techn. Data	weight (kg)
25-200	Typ V1-G	-

plug, angled, with cord



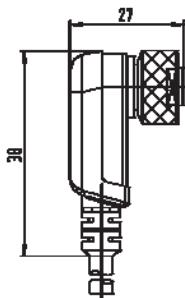
DN	techn. Data	weight (kg)
25-200	Typ V1-W	-

plug, straight, with cord



DN	type	cable length	weight (kg)
25-200	V1-G-2M-PVC	2 m	-
25-200	V1-G-5M-PVC	5 m	-
25-200	V1-G-10M-PVC	10 m	-

plug, angled, with cord



DN	type	cable length	weight (kg)
25-200	V1-W-2M-PVC	2 m	-
25-200	V1-W-5M-PVC	5 m	-
25-200	V1-W-10-PVC	10 m	-



1.1.6 butterfly valves • attachments

t-pieces, short, DIN 11850 (for tubing acc. DIN 11850 line 2) (5111N)

t-pieces, short, DIN 11852 (for tubing acc. DIN 11852 line 2) (5111N)

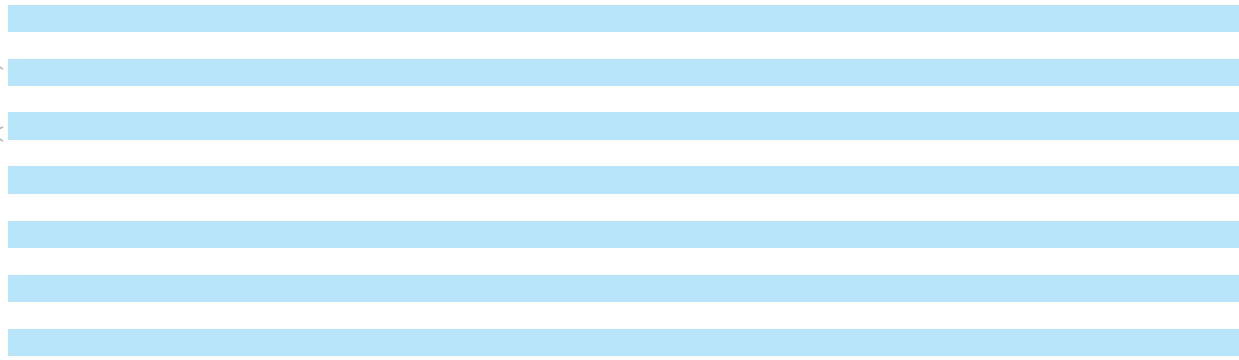
t-pieces, short, DIN 11850 (for tubing acc. DIN 11850 line 2) (5111N)

t-pieces, short, DIN 11852 (for tubing acc. DIN 11852 line 2) (5111N)

t-pieces, short, DIN 11850 (for tubing acc. DIN 11850 line 2) (5111N)

t-pieces, short, DIN 11852 (for tubing acc. DIN 11852 line 2) (5111N)

DN	plastic Ident number
25-200	o C 899.00.6X0.0164



DN	plastic Ident number
25-200	o C 899.00.6X0.0165



DN	plastic Ident number
25-200	o C 899.02.6X0.0166
25-200	o C 899.05.6X0.0166
25-200	o C 899.10.6X0.0166



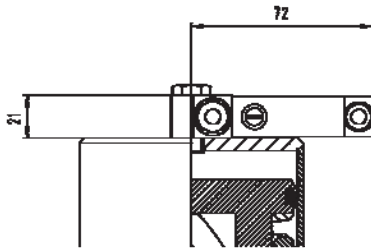
DN	plastic Ident number
25-200	o C 899.02.6X0.0167
25-200	o C 899.05.6X0.0167
25-200	o C 899.10.6X0.0167



1.1.6 butterfly valves • attachments



3/2 way solenoid valve with base



DN	techn. Data	weight (kg)
25-200	24V AC/DC 2W	0,115

1.1.6 butterfly valves • attachments



t-pieces, short, DIN 11852 (for tubing acc. DIN 11850 line 2) (51111N)

DN	plastic Ident number
25-200	o C 896.00.6Y0.0020

